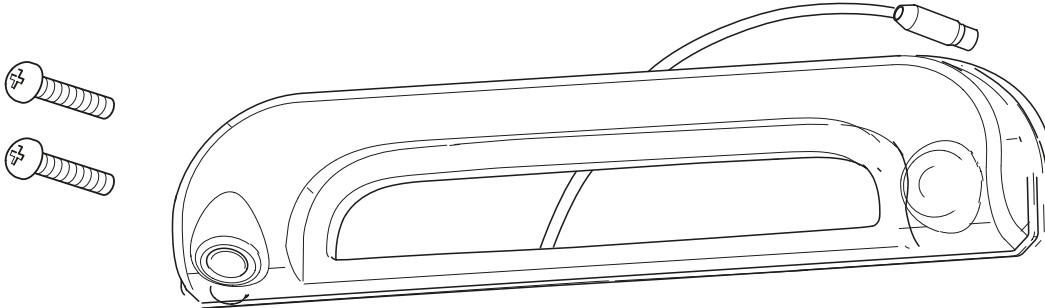


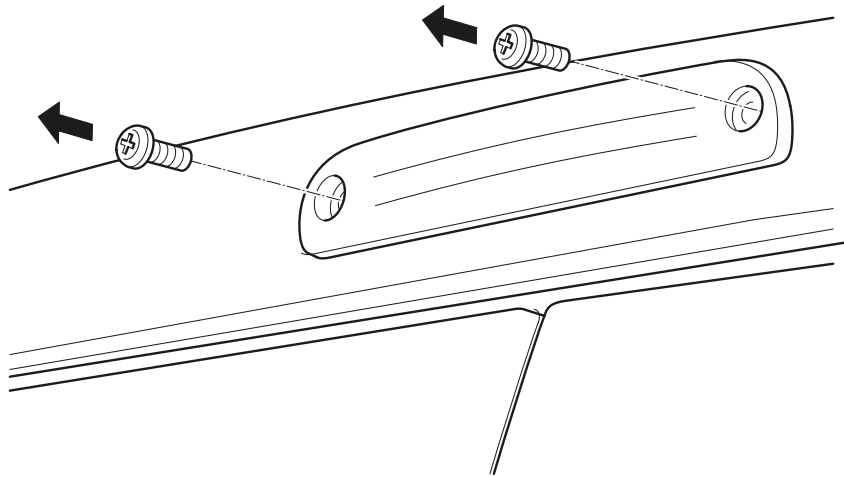
VNA-RCAM-DBJ110/115

INSTALLATION

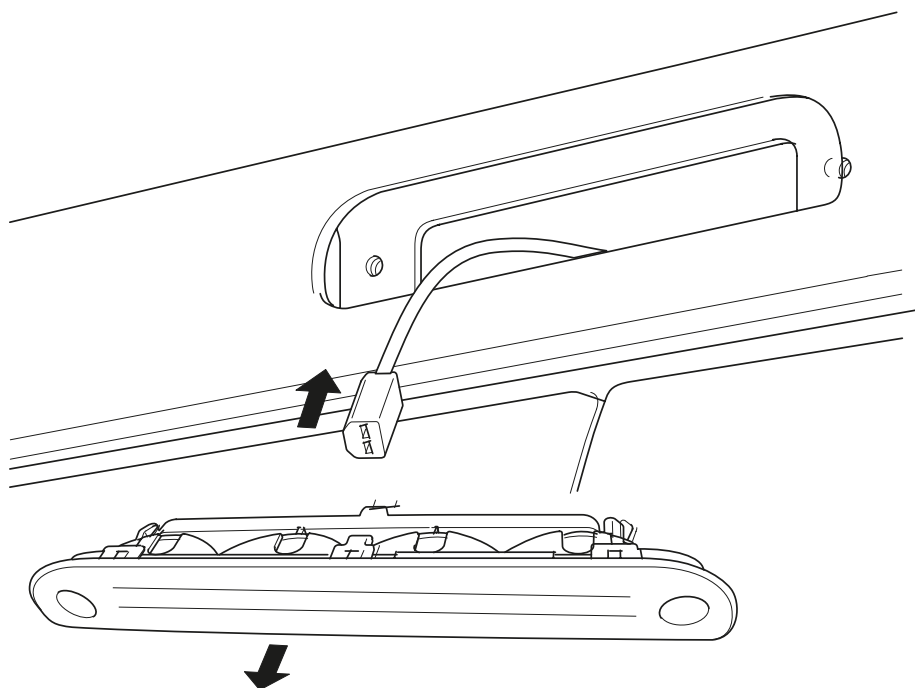
1.



2.



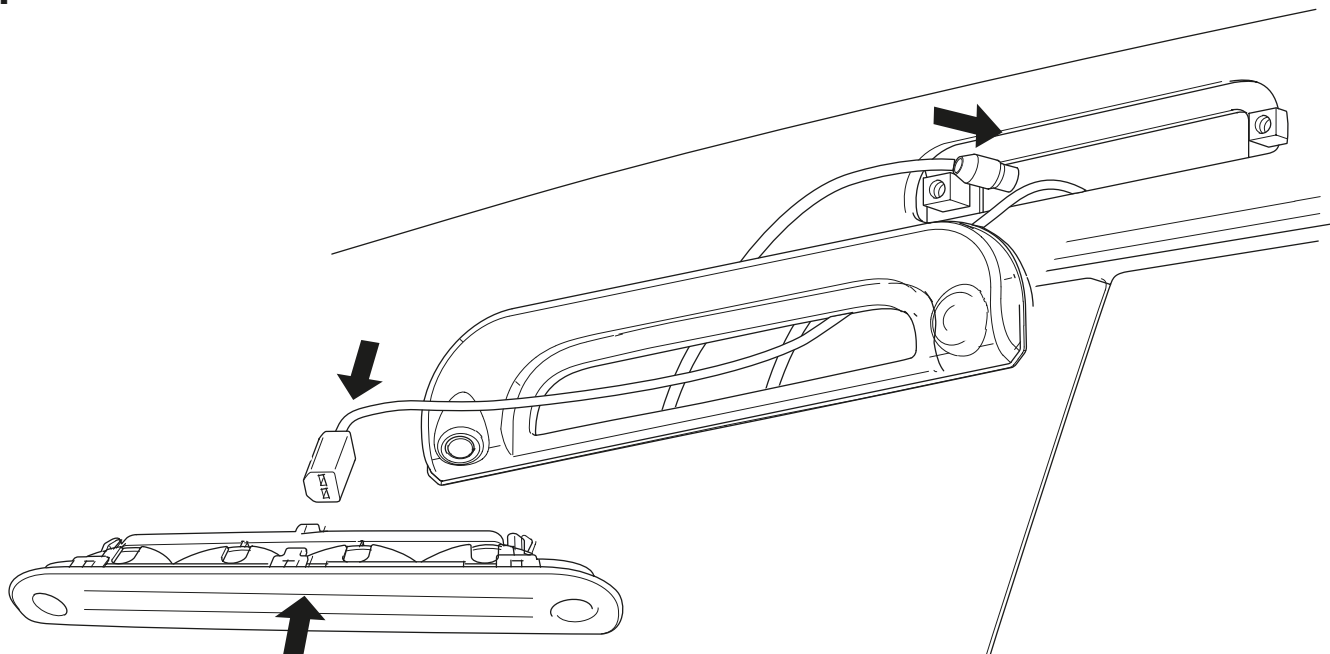
3.



VNA-RCAM-DBJ110/115

INSTALLATION

4.



5.

